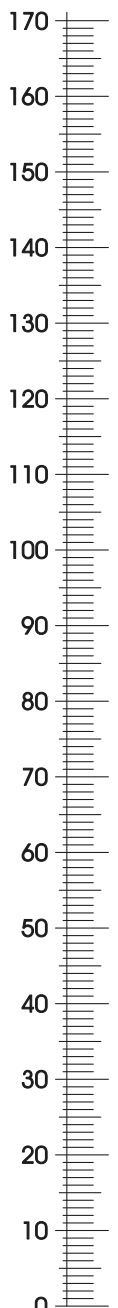
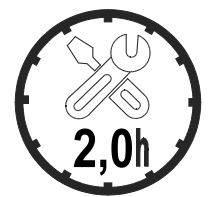
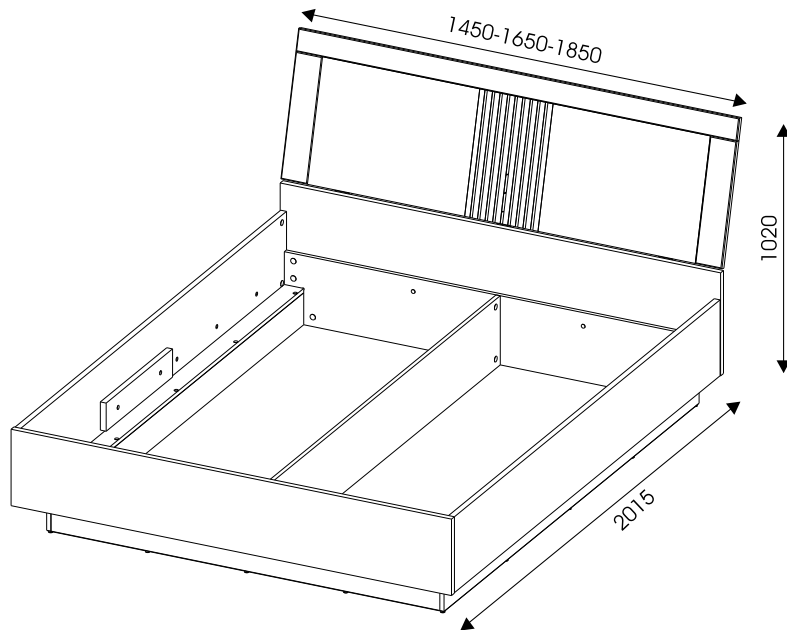
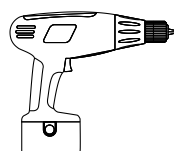
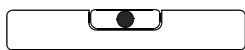
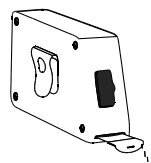
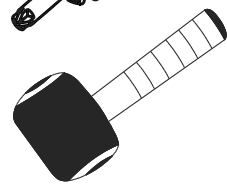
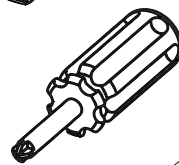
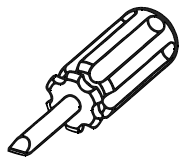
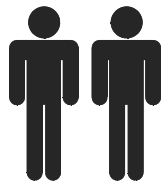
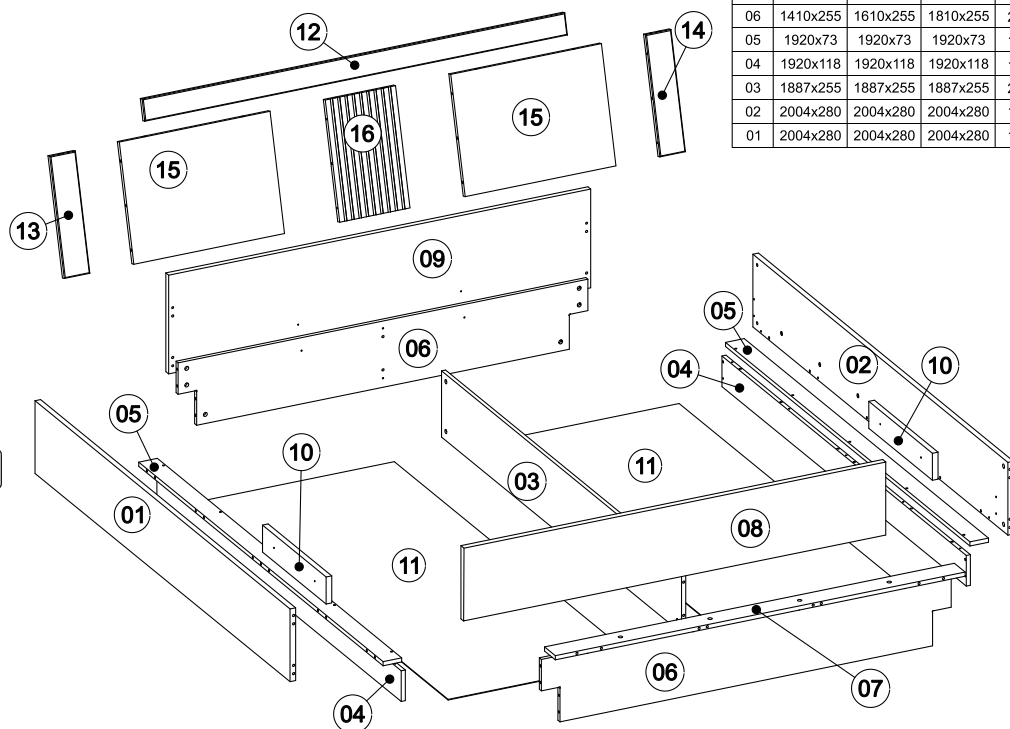


MODELL: AS14/140/160/180

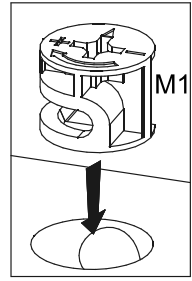
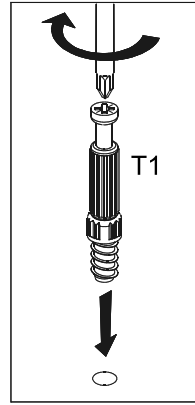
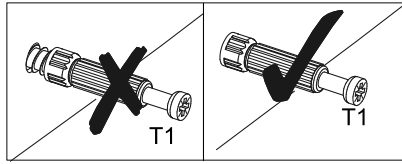
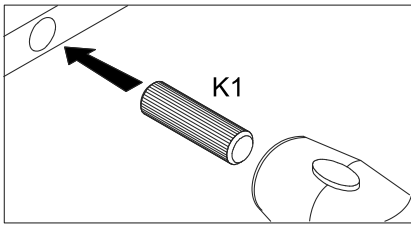
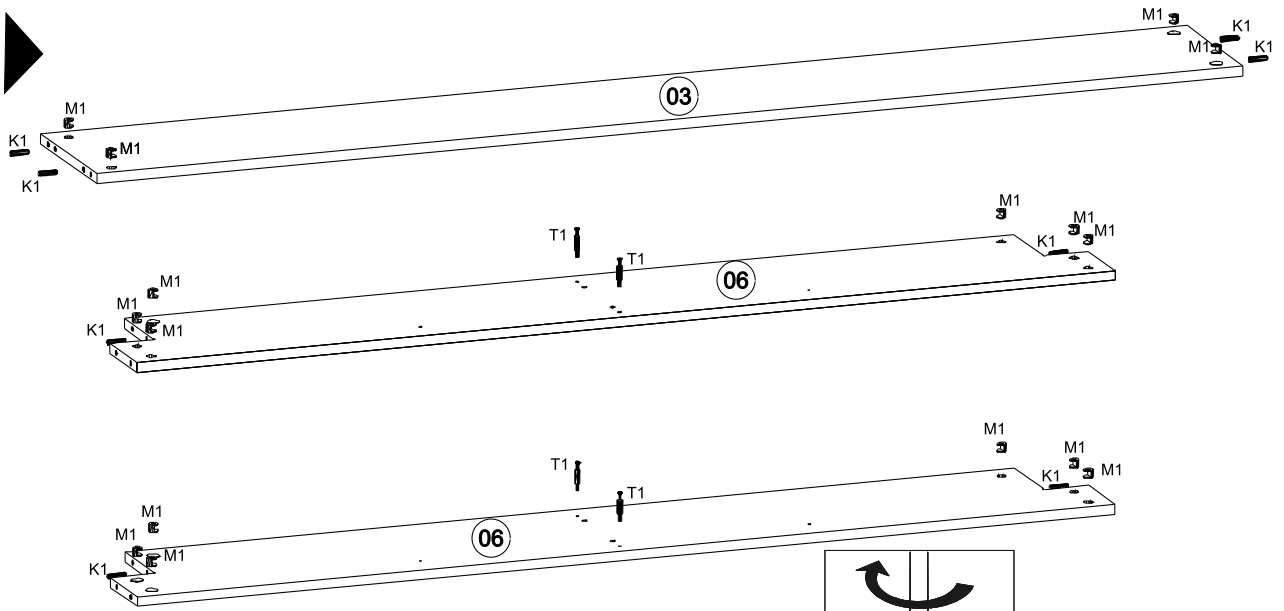


	14/140	14/160	14/180	
16	440x276	440x276	440x276	3/6
15	592x440	592x440	592x440	3/6
14	440x100	440x100	440x100	3/6
13	440x100	440x100	440x100	3/6
12	1460x80	1660x80	1860x80	2/6
11	1915x746	1915x746	1915x746	4/6
10	500x104	500x104	500x104	3/6
09	1458x380	1658x380	1858x380	3/6
08	1458x282	1658x282	1858x282	3/6
07	1410x84.5	1610x84.5	1810x84.5	2/6
06	1410x255	1610x255	1810x255	2/6
05	1920x73	1920x73	1920x73	1/6
04	1920x118	1920x118	1920x118	1/6
03	1887x255	1887x255	1887x255	2/6
02	2004x280	2004x280	2004x280	1/6
01	2004x280	2004x280	2004x280	1/6

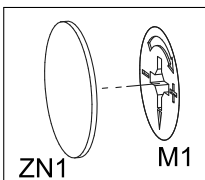
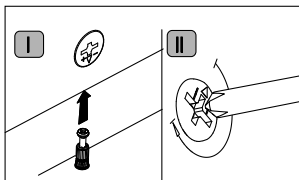
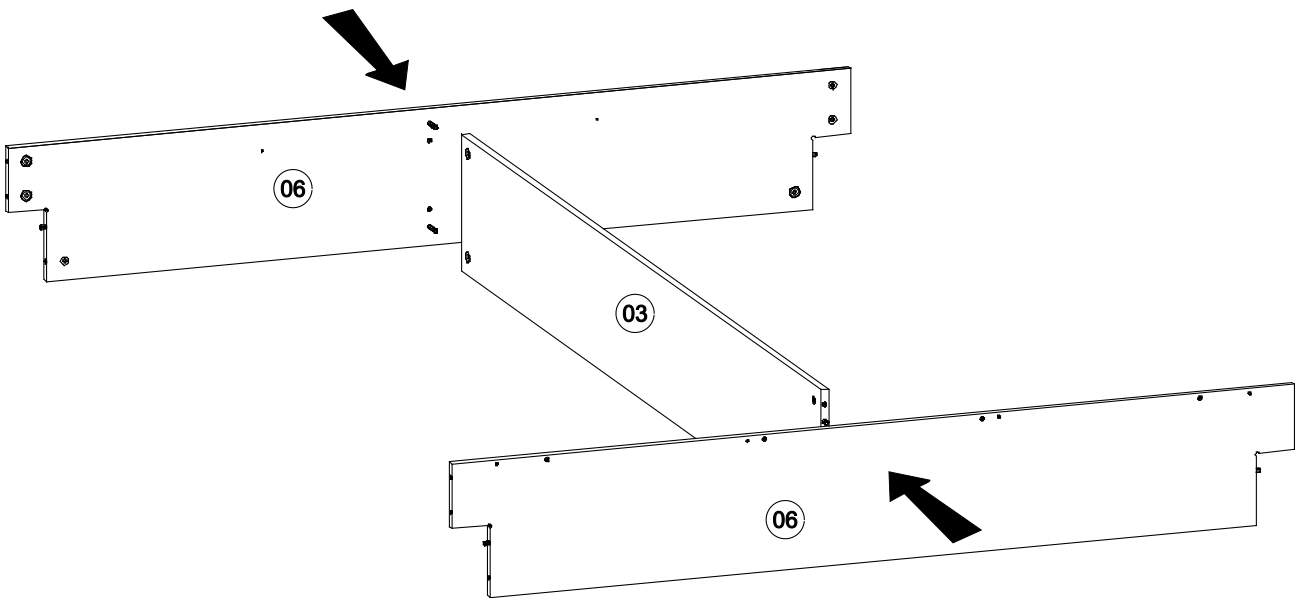


12x 20/863 ZN3	2x 14/325 ZN4	14x 2x20 G1	60x 3x20 W9	14x PM000001X BS1	21x 5x20 E8	18x 14/863 ZN2	24x 20/325 ZN1	19x G2	4x M6x60 A2	3x R1
4x NK1	10x 6.4x50 K5	4x 4x40 A7	7x 8x50 K2	2x 4x30 A8	54x φ15 M1	54x T1	48x 8x30 K1	1x Z1		

1

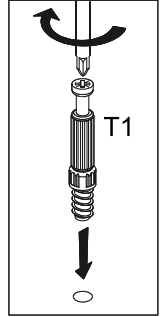
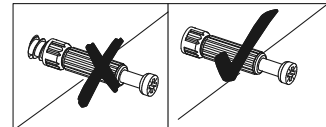
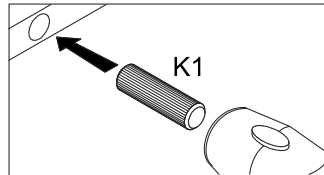
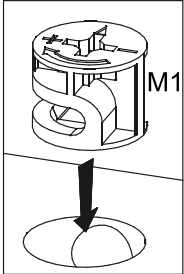
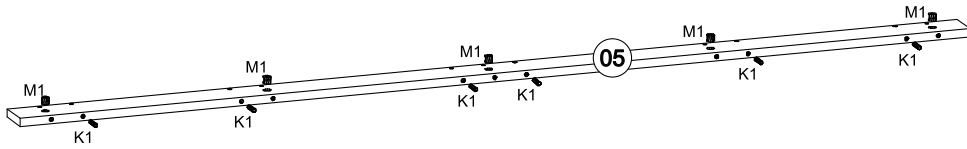
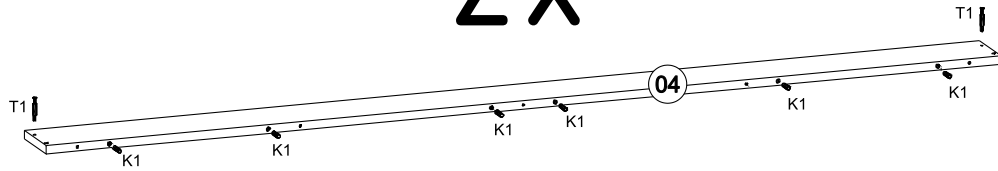


2

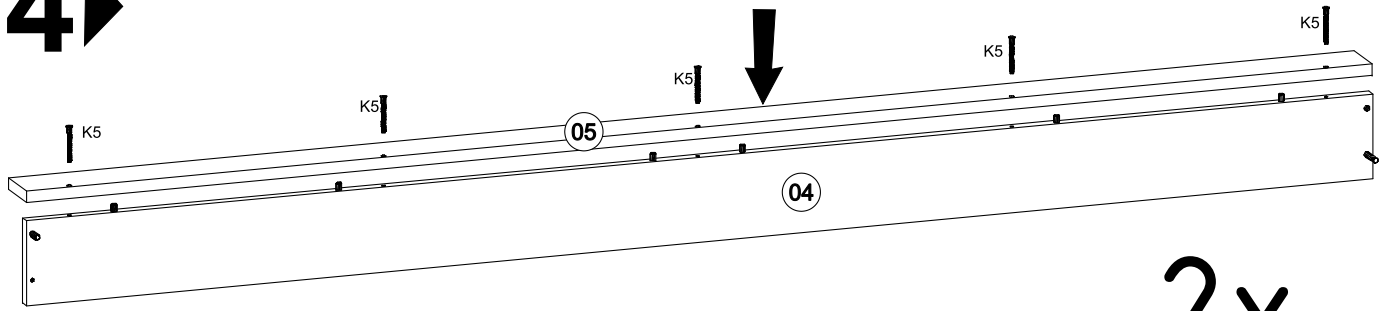


3▶

2x

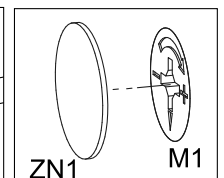
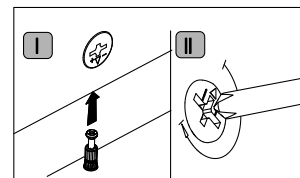
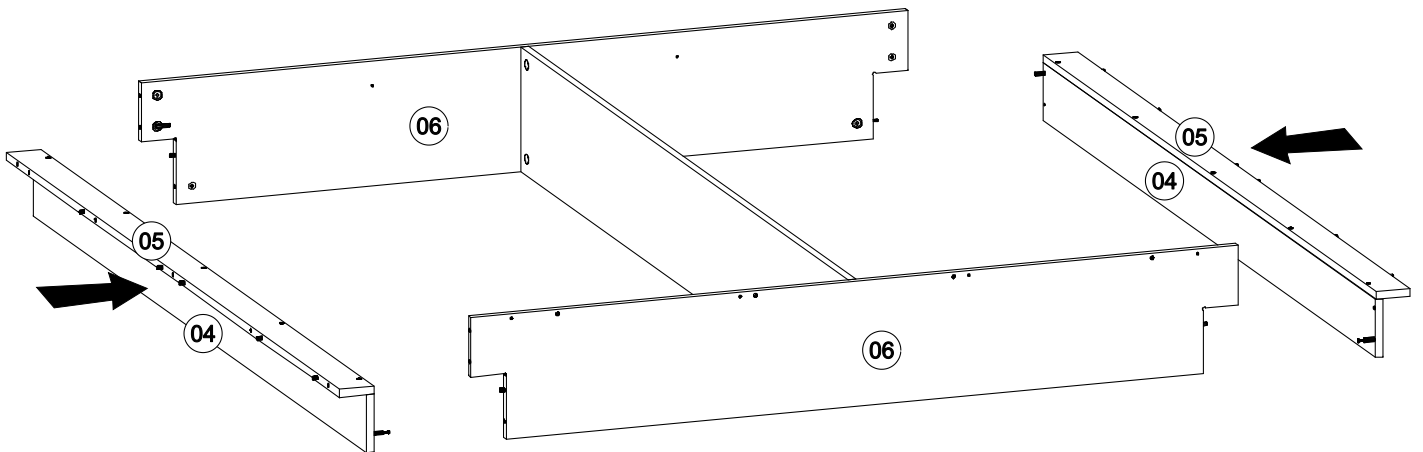


4▶

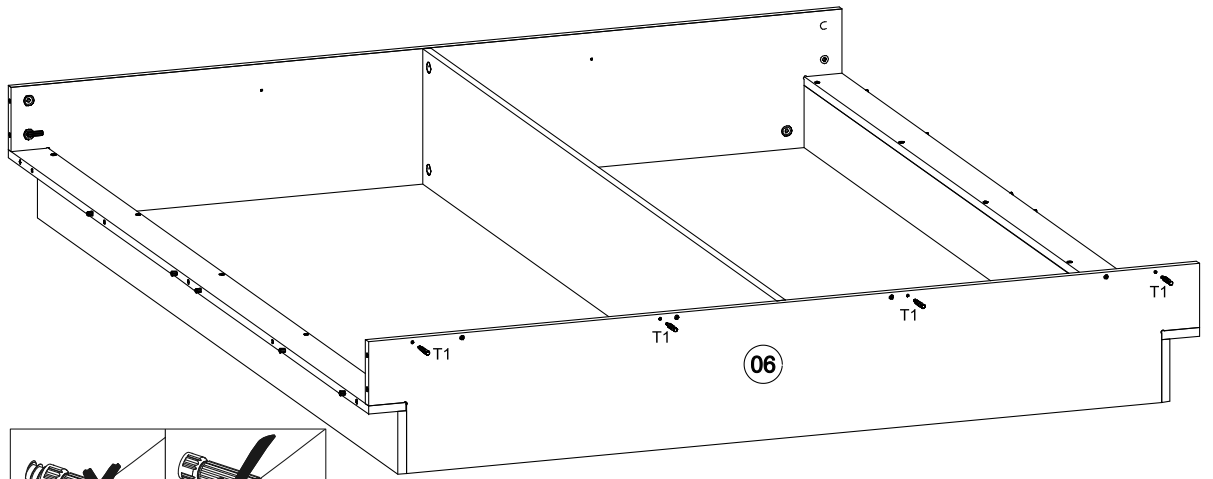
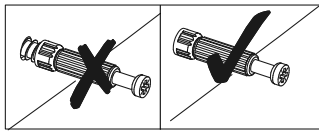
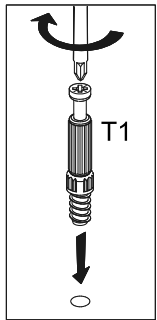


2x

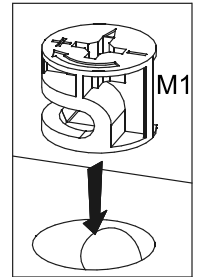
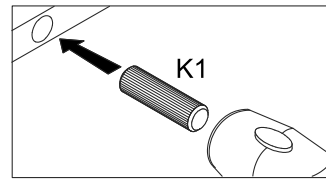
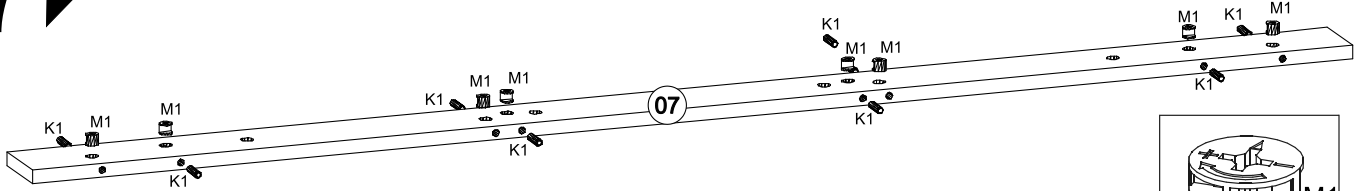
5▶



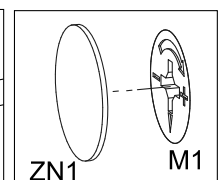
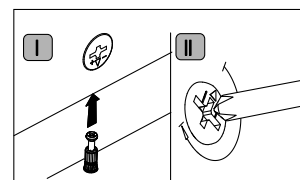
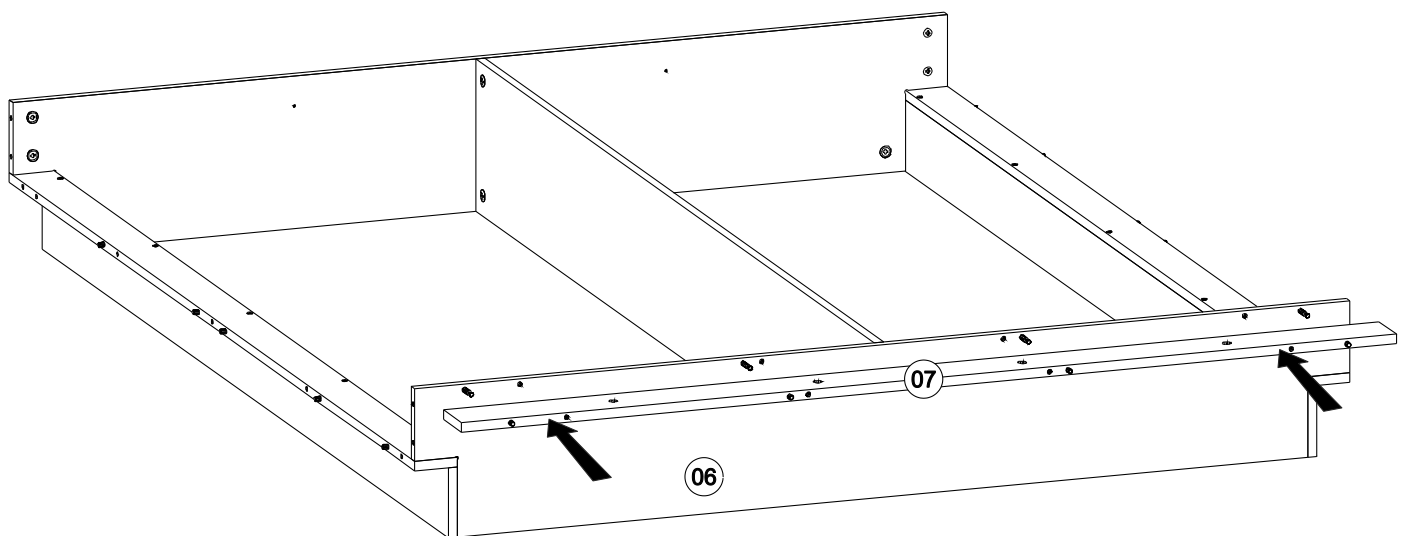
6 ▶



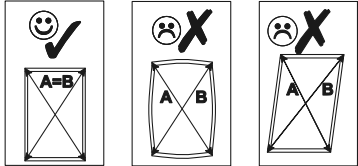
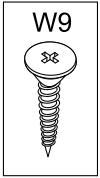
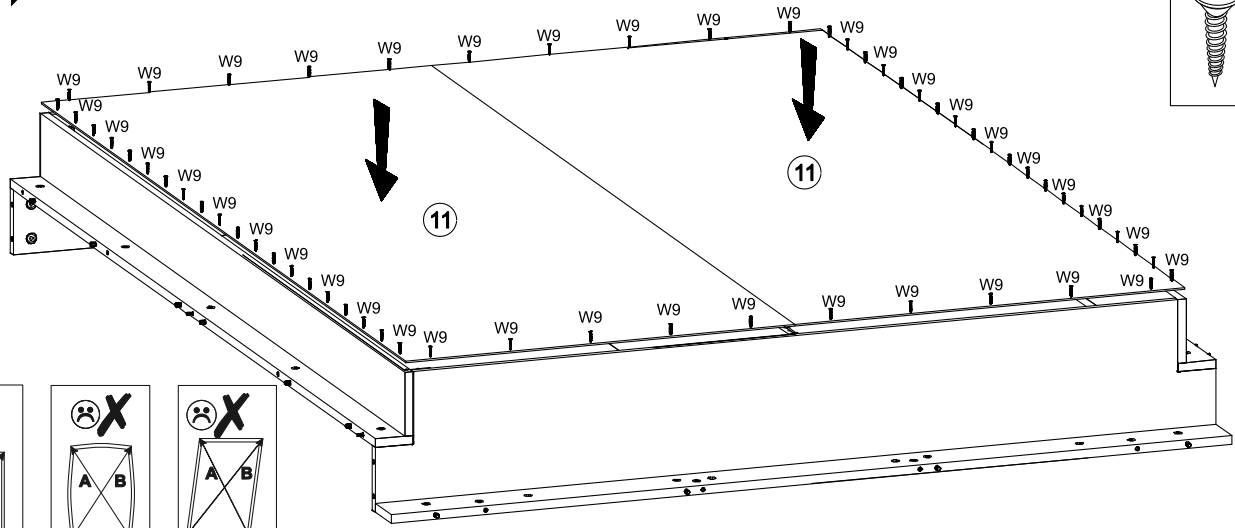
7 ▶



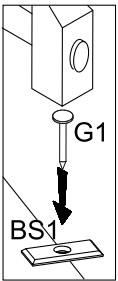
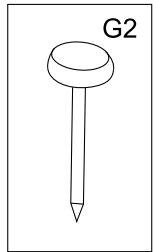
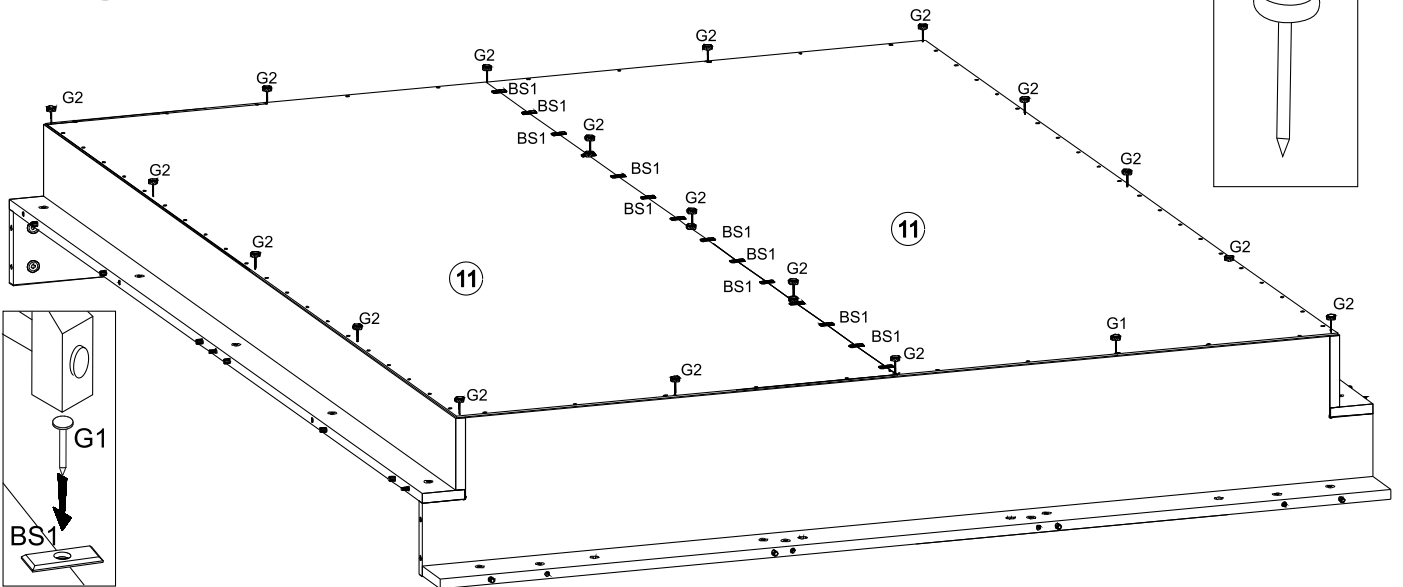
8 ▶



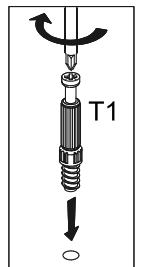
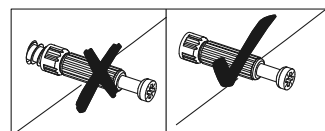
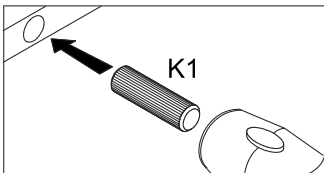
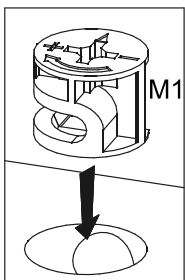
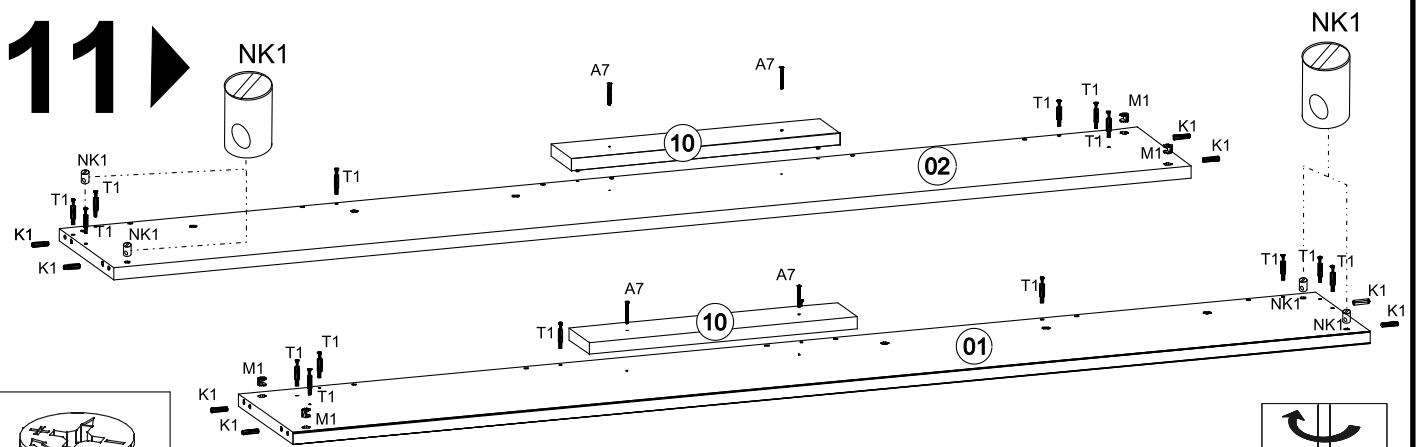
9 ▶



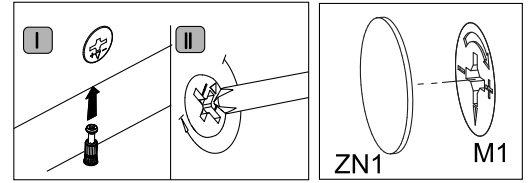
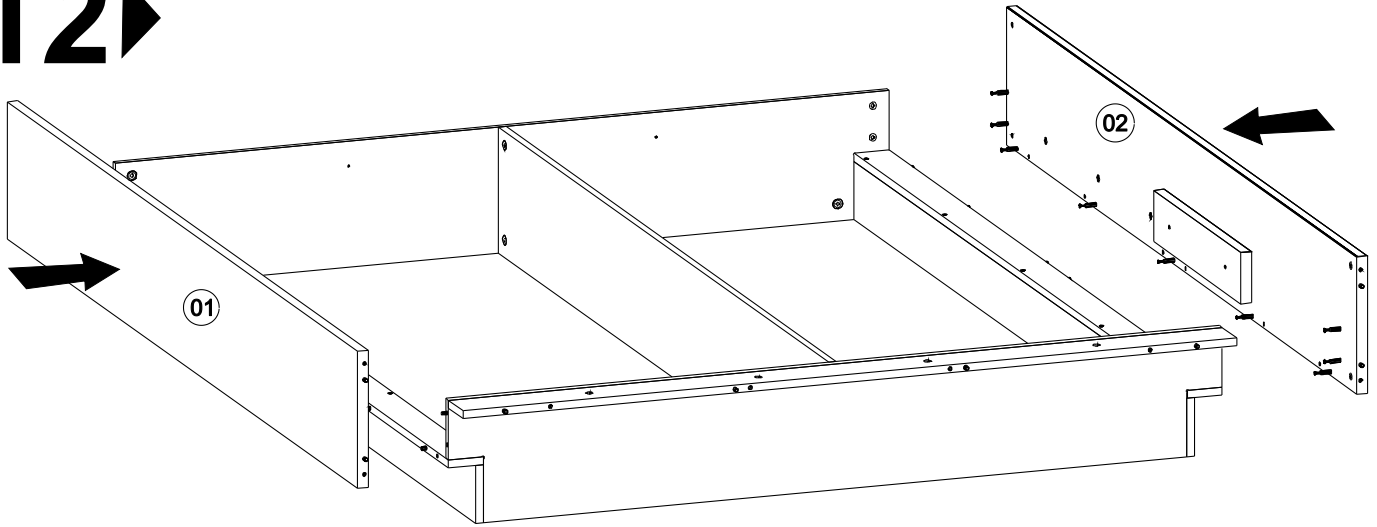
10 ▶



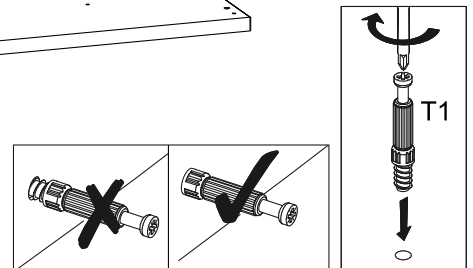
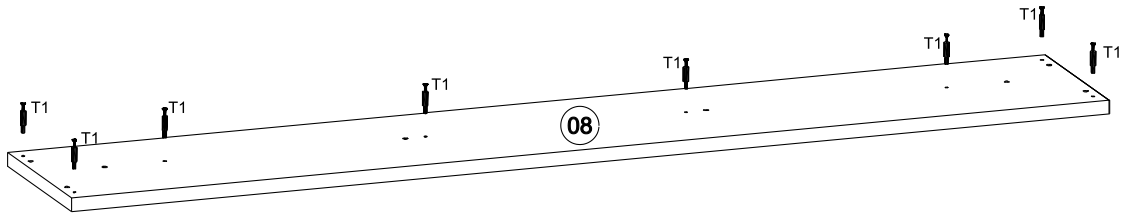
11 ▶



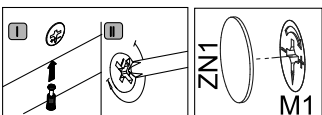
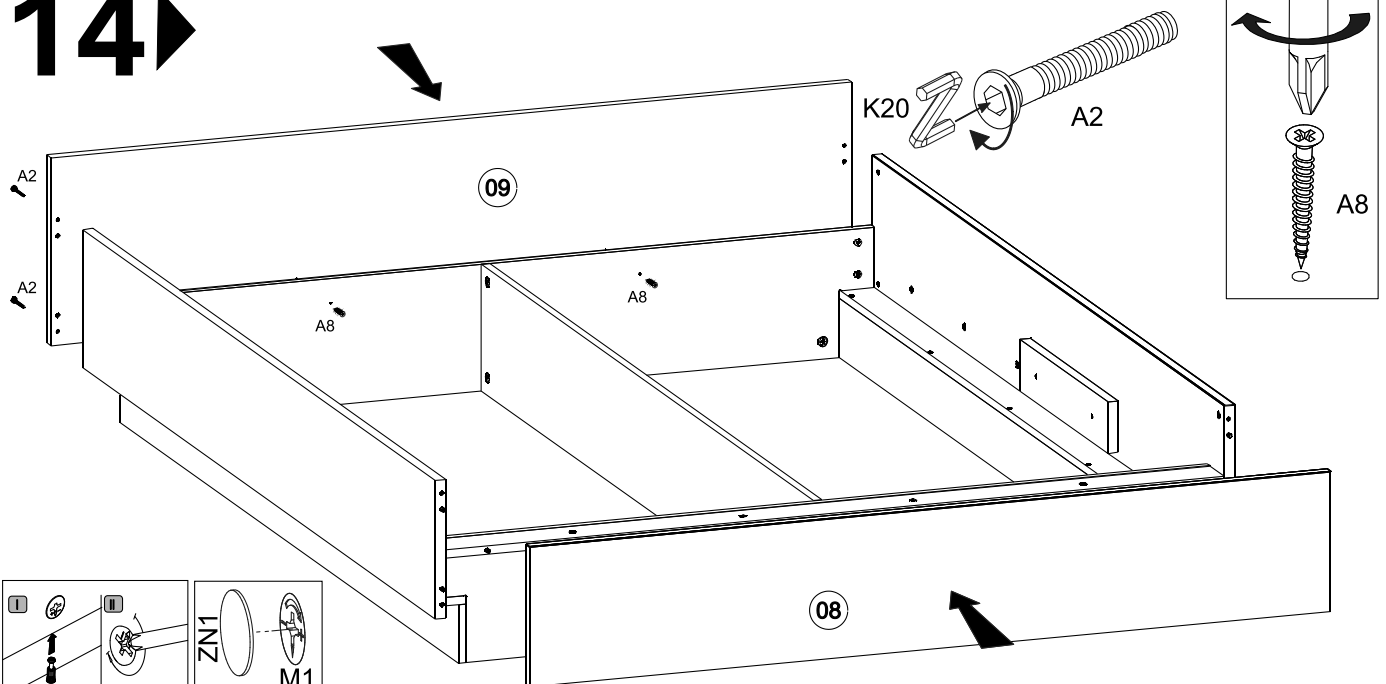
12▶



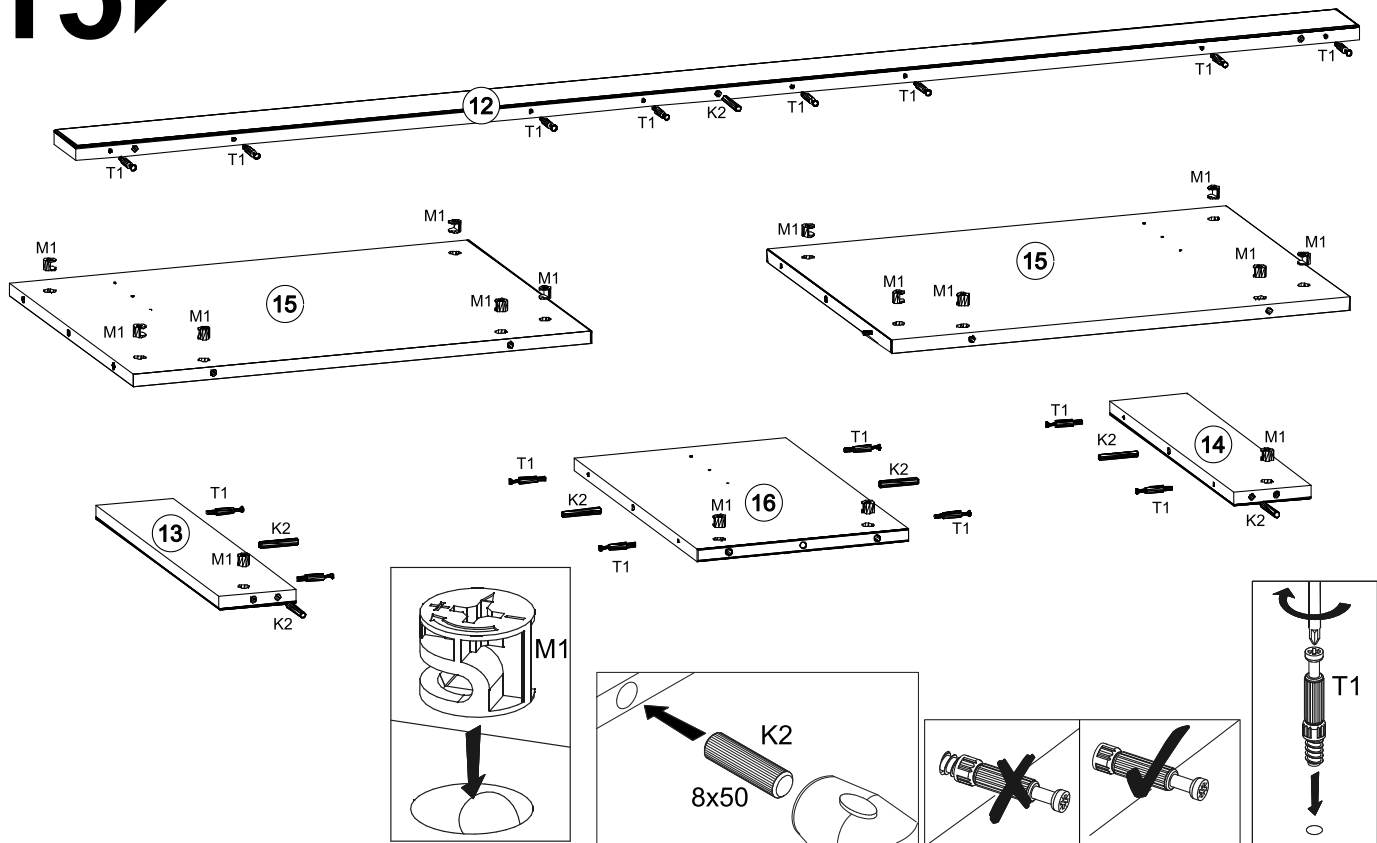
13▶



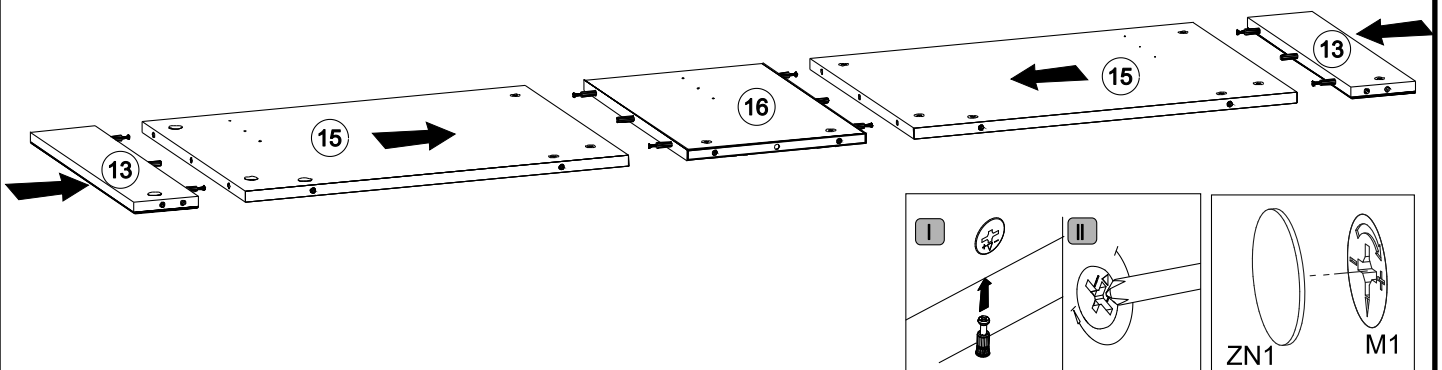
14▶



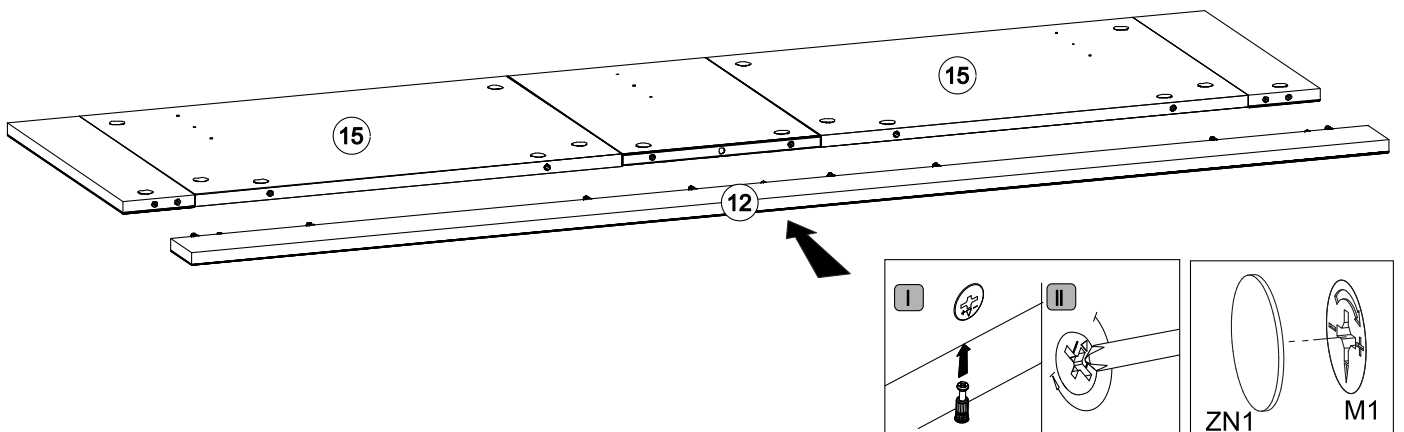
15 ▶



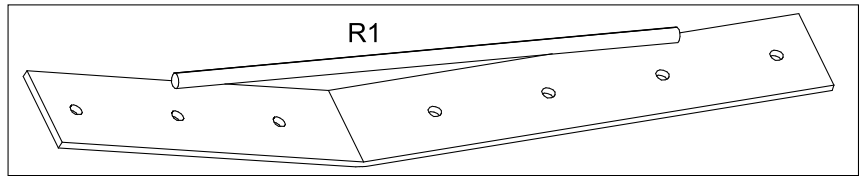
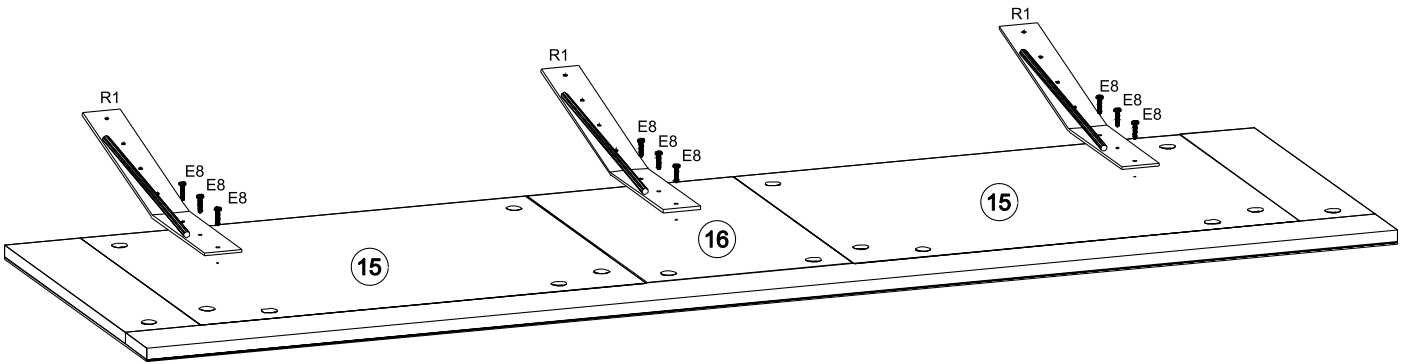
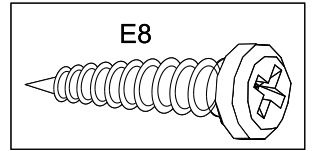
16 ▶



17 ▶



18▶



19▶

